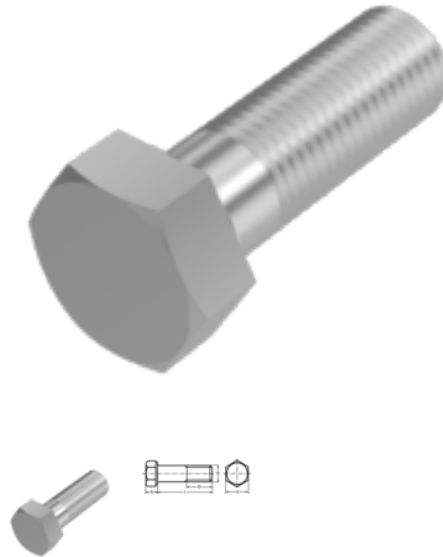


# ISO 4014 / DIN 931, hexagon head bolt, M 8x70, A2-70



**Article number**  
520931870

**EAN**  
None

**Weight in kg**  
0.032

**Customs number**  
73181575

**Diameter**  
8 mm

**Length**  
70 mm

**Material**  
Stainless steel

**Quality additional filter**  
A2

**Coating**  
pln

**Force application**  
SW 13

**Norm**  
ISO 4014 / DIN 931

## Product details

ISO 4014.

Material Stainless steel

Total length l 70 mm

Length 70 mm

Norm ISO 4014

Diameter 8 mm

Height of the head k 5.3 mm

Coating pln

Thread length b 22 mm

Force application type External hex

Norm ISO 4014 / DIN 931

Quality additional filter A2

---

Force application	SW 13
-------------------	-------

---

Diameter d	8 mm
------------	------

---



---

### Remarks

---

Changed SW for ISO. M 10, M 12, M 14 and M 22 only available according to DIN 931. For further sizes see ISO 4014. Material:  
 up to M 20: A2-70  
 from M 22: A2-50.

---

### Application

---

Universell einsetzbar, vor allem im Maschinenbereich

---

### Product variants

---

Force application	SW 13
<b>Norm</b>	
ISO 4014 / DIN 931	•