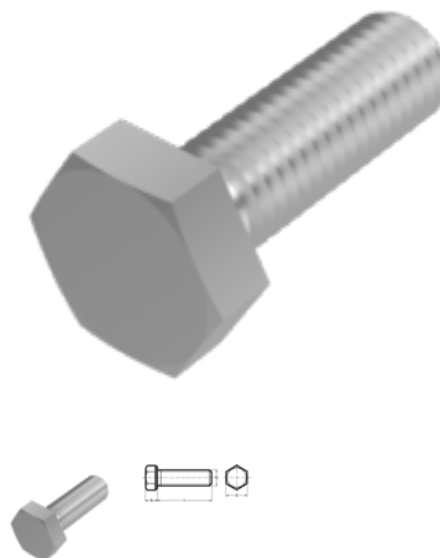


# DIN 933, hexagon head bolt, M 12x40, A2-70



**Article number**  
5209331240

**EAN**  
None

**Weight in kg**  
0.045

**Customs number**  
73181575

**Material**  
Stainless steel

**Quality**  
A2-70

**Coating**  
pln

**Diameter**  
12 mm

**Length**  
40 mm

**Force application**  
SW 19

**Norm**  
DIN 933

## Product details

Threaded close up to the head.

Material	Stainless steel
Force application type	External hex
Length	40 mm
Norm	DIN 933
Total length l	40 mm
Norm	DIN 933
Diameter	12 mm
Quality	A2-70
Force application	SW 19
Height of the head k	7.5 mm
Coating	pln

---

Diameter d 12 mm

---

## Remarks

---

Standard was withdrawn. DIN similar to ISO 4017. Changed SW for ISO. Sizes M 10, M 12, M 14 and M 22 only available in DIN 933. For further sizes see ISO 4017.

Material:

up to M 20 : A2-70

from M 22 : A2-50.

## Product variants

---

Force application	SW 18	SW 19
<b>Norm</b>		
DIN 933		•
ISO 4017	•	