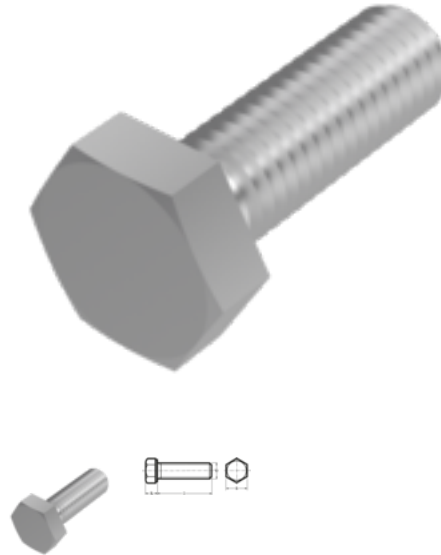


DIN 933, hexagon head bolt, M 14x130, A2-70



Article number
52093314130

EAN
None

Weight in kg
0.157

Customs number
73181575

Material
Stainless steel

Quality
A2-70

Coating
pln

Diameter
14 mm

Length
130 mm

Force application
SW 22

Norm
DIN 933

Product details

Threaded close up to the head.

Material	Stainless steel
Force application type	External hex
Length	130 mm
Norm	DIN 933
Total length l	130 mm
Norm	DIN 933
Diameter	14 mm
Quality	A2-70
Force application	SW 22
Height of the head k	8.8 mm
Coating	pln

Diameter d 14 mm

Remarks

Standard was withdrawn. DIN similar to ISO 4017. Changed SW for ISO. Sizes M 10, M 12, M 14 and M 22 only available in DIN 933. For further sizes see ISO 4017.

Material:

up to M 20 : A2-70

from M 22 : A2-50.

Product variants

Force application	SW 22
Norm	
DIN 933	•