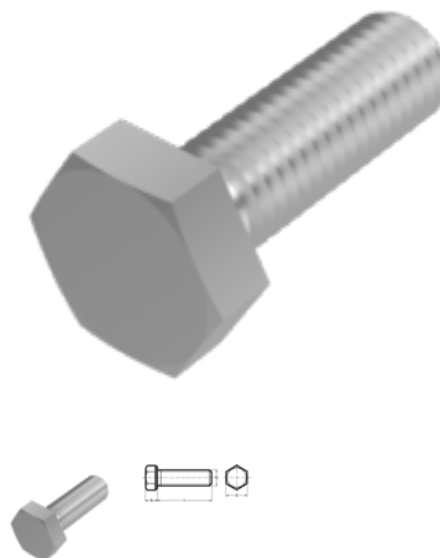


DIN 933, hexagon head bolt, M 22x200, A2-70



Article number
52093322200

EAN
None

Weight in kg
0.478

Customs number
73181575

Material
Stainless steel

Quality
A2-70

Coating
pln

Diameter
22 mm

Length
200 mm

Force application
SW 32

Norm
DIN 933

Product details

Threaded close up to the head.

Material	Stainless steel
Force application type	External hex
Length	200 mm
Norm	DIN 933
Total length l	200 mm
Norm	DIN 933
Diameter	22 mm
Quality	A2-70
Force application	SW 32
Height of the head k	14 mm
Coating	pln

Diameter d 22 mm

Remarks

Standard was withdrawn. DIN similar to ISO 4017. Changed SW for ISO. Sizes M 10, M 12, M 14 and M 22 only available in DIN 933. For further sizes see ISO 4017.

Material:

up to M 20 : A2-70

from M 22 : A2-50.

Product variants

Force application	SW 32
Norm	
DIN 933	•