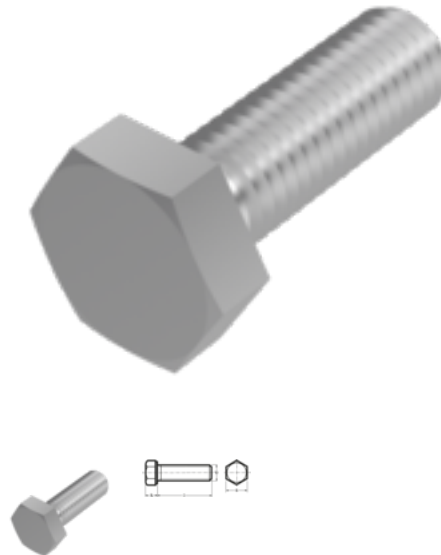


# DIN 933, hexagon head bolt, M 6x12, A2



**Article number**  
520933612

**EAN**  
None

**Weight in kg**  
0.004

**Customs number**  
73181575

**Material**  
Stainless steel

**Quality**  
A2

**Coating**  
pln

**Diameter**  
6 mm

**Length**  
12 mm

**Force application**  
SW 10

**Norm**  
ISO 4017 / DIN 933

## Product details

Threaded close up to the head.

|                        |                    |
|------------------------|--------------------|
| Material               | Stainless steel    |
| Force application type | External hex       |
| Length                 | 12 mm              |
| Norm                   | ISO 4017 / DIN 933 |
| Total length l         | 12 mm              |
| Norm                   | ISO 4017           |
| Diameter               | 6 mm               |
| Quality                | A2                 |
| Force application      | SW 10              |
| Height of the head k   | 4 mm               |
| Coating                | pln                |

---

Diameter d 6 mm

---

## Remarks

---

Standard was withdrawn. DIN similar to ISO 4017. Changed SW for ISO. Sizes M 10, M 12, M 14 and M 22 only available in DIN 933. For further sizes see ISO 4017.

Material:

up to M 20 : A2-70

from M 22 : A2-50.

## Application

---

Universell einsetzbar, vor allem im Maschinenbereich

## Product variants

---

| Force application  | SW 10 |
|--------------------|-------|
| Norm               |       |
| ISO 4017 / DIN 933 | •     |