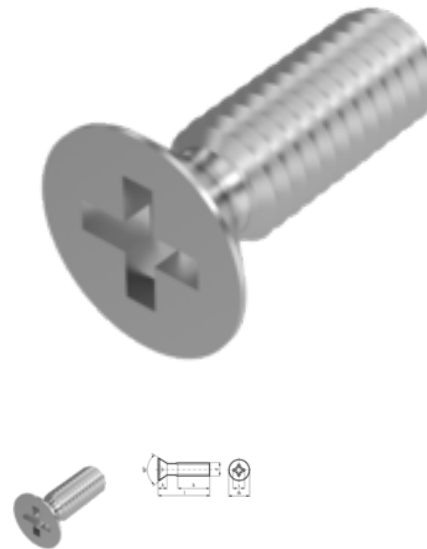


# DIN 965, Countersunk bolt, M 6x40, A2-70, H 3



**Article number**  
520965640

**EAN**  
None

**Weight in kg**  
0.008

**Customs number**  
73181552

**Material**  
Stainless steel

**Quality**  
A2-70

**Coating**  
pln

**Force application type**  
Philipps cross recess

**Diameter**  
6 mm

**Length**  
40 mm

## Product details

Threaded up to the head.

Material	Stainless steel
Force application type	Philipps cross recess
Length	40 mm
Total length l	40 mm
Norm	DIN 965
Diameter	6 mm
Quality	A2-70
Force application	H 3
Height of the head k	3 mm
Coating	pln
Diameter of the head dk	11 mm
Diameter d	6 mm

## Remarks

Standard was withdrawn. Changed head dimensions and penetration depth cross recess for ISO. Items are delivered according to DIN.DIN similar to ISO 7046-2.

## Product variants

Diameter (mm)	3	6	8	10
Length (mm)				
10	•			
16		•		
18		•		
20		•	•	
22		•		
25		•	•	•
30		•	•	•
35		•	•	•
40		•	•	•
45		•	•	•
50		•	•	•
55		•	•	
60		•	•	•
70		•	•	•
75		•		
80		•	•	•
90		•	•	
100		•	•	•
110			•	
120			•	
130			•	
150			•	