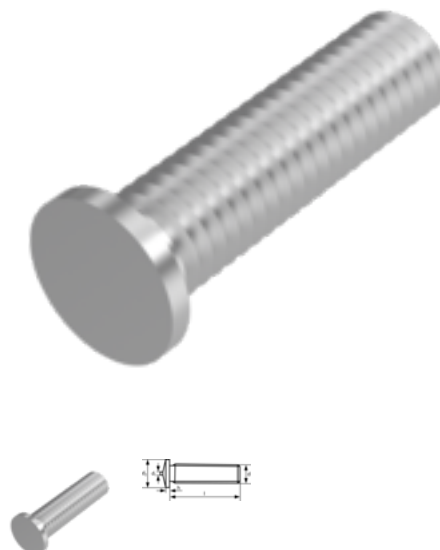


ISO 13918 PT, Welding threaded stud, M 8x12, A2-50



Article number
52139189812

EAN
None

Weight in kg
0.004

Customs number
73181595

Material
Stainless steel

Quality
A2-50

Coating
pln

Diameter
8 mm

Length
12 mm

Product details

Form PT-Stud welding with tip ignition

| | |
|-------------------------|-----------------|
| Lenght l1 | 0.85 mm |
| Material | Stainless steel |
| Total lenght l | 12 mm |
| Length | 12 mm |
| Diameter d1 | 0.75 mm |
| Norm | ISO 13918 PT |
| Diameter | 8 mm |
| Quality | A2-50 |
| Coating | pln |
| Diameter of the head dk | 9 mm |
| Diameter d | 8 mm |

Remarks

32501-1 has been replaced by ISO 13918

Product variants

| Diameter (mm) | 3 | 4 | 5 | 6 | 8 | 10 |
|---------------|---|---|---|---|---|----|
| Length (mm) | | | | | | |
| 6 | | | • | | | |
| 8 | • | | • | • | | |
| 10 | • | | • | • | • | |
| 12 | • | • | • | • | • | |
| 15 | | | • | • | • | |
| 16 | | • | • | • | • | |
| 20 | • | • | • | • | • | • |
| 25 | • | • | • | • | • | • |
| 30 | | • | • | • | • | |
| 35 | | • | • | • | • | |
| 40 | | | • | • | • | |
| 45 | | | | | • | |
| 50 | | • | | | • | |
| 55 | | | | • | | |
| 60 | | | | | • | |