

# DIN 1476, Round head grooved pin, 2x6, A2



**Article number**  
52147626

**EAN**  
None

**Weight in kg**  
0

**Customs number**  
73182900

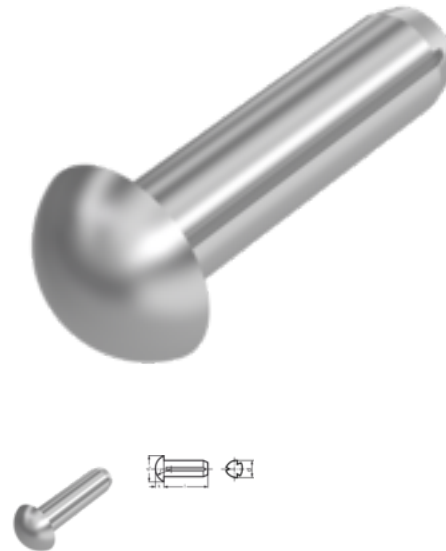
**Material**  
Stainless steel

**Quality**  
A2

**Coating**  
pln

**Diameter**  
2 mm

**Length**  
6 mm



## Product details

Material	Stainless steel
Length	6 mm
Total length l	6 mm
Norm	ISO 8746
Diameter	2 mm
Quality	A2
Height of the head k	1.2 mm
Coating	pln
Diameter of the head dk	3.5 mm
Diameter d	2 mm

## Remarks

Standard was withdrawn. DIN corresponds to ISO 8746.

## Product variants

Diameter (mm)	2	2,3	2,5	3	4	5	6
Length (mm)							
3	•		•				
4	•	•	•	•			
5	•		•	•	•		
6	•		•	•	•	•	
8	•			•	•	•	
10	•		•	•	•	•	•
12				•	•	•	
15					•		
16						•	•