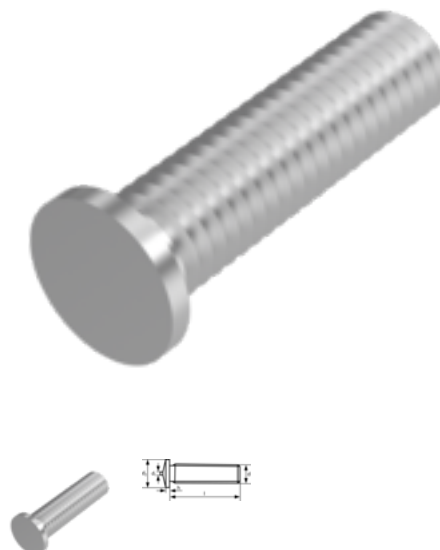


# ISO 13918 PT, Welding threaded stud, M 8x16, A2-50



**Article number**  
52325013816

**Weight in kg**  
0.005

**Customs number**  
73181595

**Material**  
Stainless steel

**Quality**  
A2-50

**Coating**  
pIn

**Diameter**  
8 mm

**Length**  
16 mm

## Product details

Form PT-Stud welding with tip ignition

Lenght l1	0.85 mm
Material	Stainless steel
Total lenght l	16 mm
Length	16 mm
Diameter d1	0.75 mm
Norm	ISO 13918 PT
Diameter	8 mm
Quality	A2-50
Coating	pIn
Diameter of the head dk	9 mm
Diameter d	8 mm

## Remarks

32501-1 has been replaced by ISO 13918

## Product variants

Diameter (mm)	3	4	5	6	8	10
Length (mm)						
6			•			
8	•		•	•		
10	•		•	•	•	
12	•	•	•	•	•	
15			•	•	•	
16		•	•	•	•	
20	•	•	•	•	•	•
25	•	•	•	•	•	•
30		•	•	•	•	
35		•	•	•	•	
40			•	•	•	
45					•	
50		•			•	
55				•		
60					•	