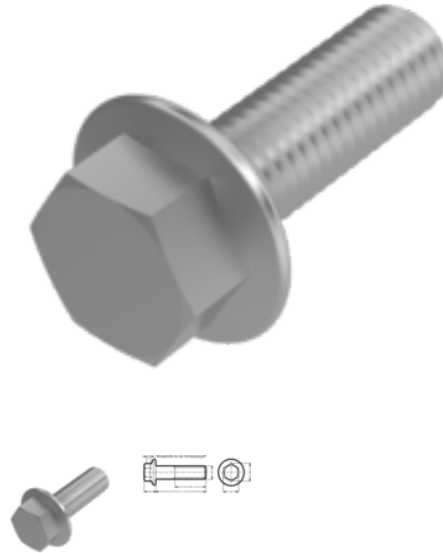


DIN 6921, hexagon head bolt, M 5x20, A2



Article number
526921520

EAN
None

Weight in kg
0.037

Customs number
73181575

Material
Stainless steel

Quality
A2

Coating
pln

Force application type
External hex

Diameter
5 mm

Length
20 mm

Product details

With flange.

Material	Stainless steel
Total length l	20 mm
Length	20 mm
Minimum height for recess km	2 mm
Norm	DIN 6921
Diameter	5 mm
Height of the head k	5.4 mm
Coating	pln
Thread length b	16 mm
Force application type	External hex
Quality	A2
Force application	SW 8

Diameter d	5 mm
Flange diameter df	11.8 mm

Remarks

Standard was withdrawn. DIN corresponds to EN 1665.

Product variants

Diameter (mm)	4	5	6	8	10	12
Length (mm)						
8	•		•			
10		•	•			
12		•	•	•		
16		•		•	•	
20		•			•	•
25		•				
30		•				
35		•				
40		•				