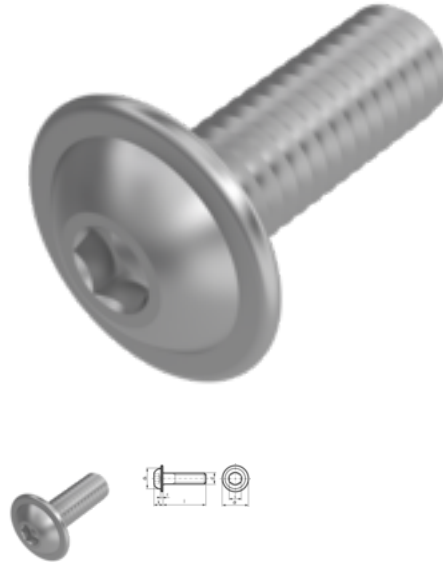


DIN EN ISO 7380-2, Round head flanged screw, M 6x12, A2



Article number
527381612

EAN
None

Weight in kg
0.003

Customs number
73181562

Material
Stainless steel

Quality
A2

Coating
pIn

Force application type
Hex socket

Diameter
6 mm

Length
12 mm

Product details

Part 2 - head B form, with hexagon socket head.

Material	Stainless steel
Total length l	12 mm
Length	12 mm
Norm	ISO 7380 2
Diameter	6 mm
Height of the head k	3.3 mm
Coating	pIn
Thickness s	1.2 mm
Force application type	Hex socket
Force application	ISK 4
Quality	A2

Diameter d	6 mm
Flange diameter df	13.6 mm

Product variants

Diameter (mm)	2,5	3	4	5	6	8	10	12
Length (mm)								
4		•	•					
5			•	•				
6		•	•	•	•			
8		•	•	•	•			
10			•	•	•	•		
12	•			•	•	•	•	
14				•	•	•		
16					•	•	•	•
18						•		
20						•	•	•
22						•		
25							•	
30								•