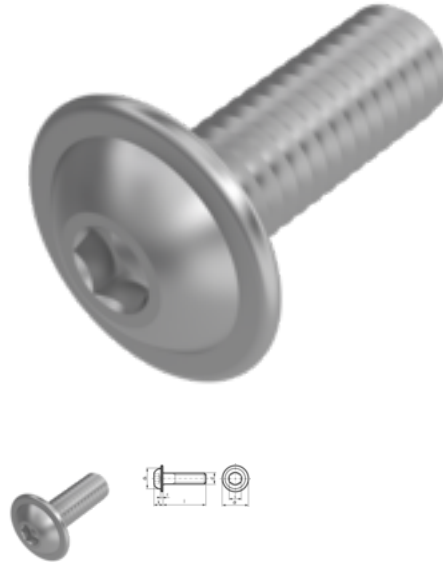


DIN EN ISO 7380-2, Round head flanged screw, M 6x30, A2-070



Article number
527381630

EAN
None

Weight in kg
0.006

Customs number
73181562

Material
Stainless steel

Quality
A2-070

Coating
pIn

Force application type
Hex socket

Diameter
6 mm

Length
30 mm

Product details

Part 2 - head B form, with hexagon socket head.

Material	Stainless steel
Total length l	30 mm
Length	30 mm
Norm	ISO 7380 2
Diameter	6 mm
Height of the head k	3.3 mm
Coating	pIn
Thickness s	1.2 mm
Force application type	Hex socket
Force application	ISK 4
Quality	A2-070

Diameter d 6 mm

Flange diameter df 13.6 mm

Product variants

Diameter (mm)	3	4	5	6	8	10	12
Length (mm)							
10	•						
12	•	•					
14		•					
16	•	•	•				
18	•		•	•			
20	•	•	•	•			
22	•	•	•	•			
25	•	•	•	•	•		
30		•	•	•	•	•	
35			•	•	•	•	
40			•	•	•	•	•
45				•	•	•	•
50				•	•	•	
55				•			
60				•			
80					•		
90					•		