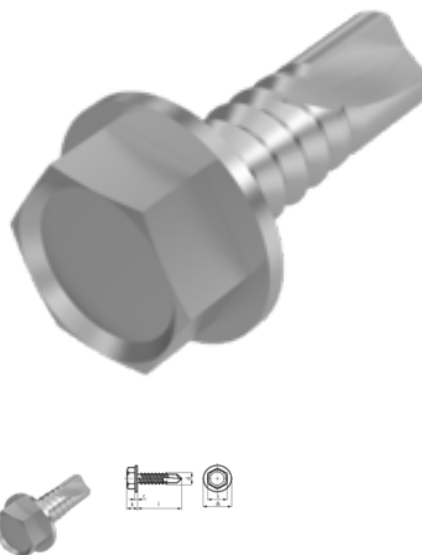


ISO15480 / DIN7504K, Hexagon head self-drilling screw , ST 4,8x25, A2



Article number
5275044825

EAN
None

Weight in kg
0.003

Customs number
73181410

Material
Stainless steel

Quality
A2

Coating
pln

Diameter
4,8 mm

Length
25 mm

Product details

form K with hexagonal head und collar acc. DIN 6928.

Material	Stainless steel
Force application type	External hex
Length	25 mm
Total length l	25 mm
Norm	DIN 7504 K
Diameter	4.8 mm
Quality	A2
Force application	SW 8
Height of the head k	4.4 mm
Coating	pln
Diameter d	4.8 mm

Remarks

Standard was withdrawn. DIN corresponds to ISO 15480 (DRM 3,9 mm not contained in ISO).

Product variants

Diameter (mm)	3,5	3,9	4,2	4,8	5,5	6,3
Length (mm)						
9,5	•					
13	•	•	•	•	•	•
16	•	•	•	•	•	•
19	•	•	•	•	•	•
22	•	•	•	•	•	
25	•	•	•	•	•	•
28					•	
30					•	
32			•	•	•	•
35				•	•	
38			•	•	•	•
45				•	•	•
50			•	•	•	•
60				•	•	
70				•	•	
75					•	•
80					•	
90				•	•	•
100				•	•	•
110						•
120					•	
125					•	•
150					•	•