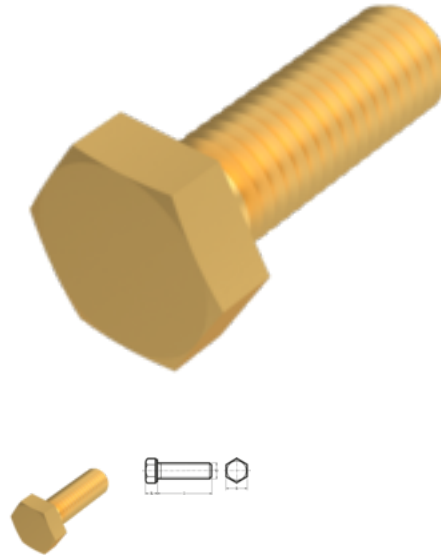


DIN 933, hexagon head bolt, M 6x30, brass



Article number
530933630

EAN
None

Weight in kg
0.008

Customs number
74153300

Material
Brass

Quality
brass

Coating
pln

Diameter
6 mm

Length
30 mm

Force application
SW 10

Norm
ISO 4017 / DIN 933

Product details

Threaded close up to the head.

Material	Brass
Force application type	External hex
Length	30 mm
Norm	ISO 4017 / DIN 933
Total length l	30 mm
Norm	ISO 4017
Diameter	6 mm
Quality	brass
Force application	SW 10
Height of the head k	4 mm
Coating	pln

Diameter d 6 mm

Remarks

Standard was withdrawn. DIN similar to ISO 4017. Changed SW for ISO. Sizes M 10 and M 12 only available in DIN 933.

Application

Universell einsetzbar, vor allem im Maschinenbereich

Product variants

Force application	SW 10
Norm	
ISO 4017 / DIN 933	•