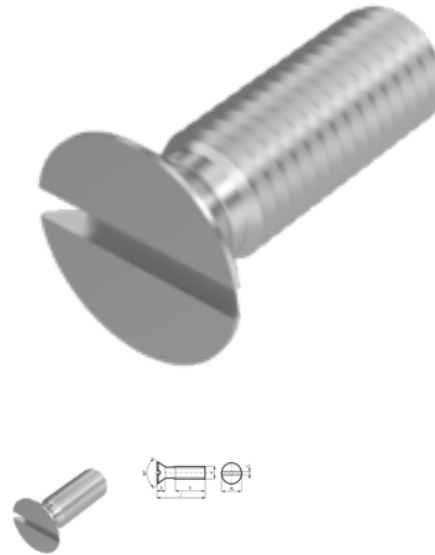


DIN 963, Countersunk bolt, M 5x25, A4



Article number
540963525

EAN
None

Weight in kg
0.004

Customs number
73181552

Material
Stainless steel

Quality
A4

Coating
pln

Diameter
5 mm

Length
25 mm

Product details

Material	Stainless steel
Force application type	Slot
Length	25 mm
Total length l	25 mm
Norm	DIN 963
Diameter	5 mm
Quality	A4
Height of the head k	2.5 mm
Force application	SZ 1,2
Coating	pln
Diameter of the head dk	9.2 mm
Diameter d	5 mm

Remarks

Standard was withdrawn. DIN similar to ISO 2009. Changed head dimensions for ISO. Items are delivered according to DIN.

Product variants

Diameter (mm)	1	1,6	2	2,5	3	3,5	4	5	6	8	10	16
Length (mm)												
3	•											
4	•	•										
5	•	•	•	•	•							
6		•		•	•		•	•				
8			•	•	•	•	•	•				
10		•	•	•	•		•	•	•			
12				•	•		•	•	•	•		
14				•	•		•	•	•			
16			•	•	•		•	•		•	•	
18					•		•					
20			•		•		•	•				
25				•	•		•	•				•
30					•		•	•				
35					•		•	•				•
40					•		•	•				
45					•		•	•				
50					•		•	•				
55								•				
60					•		•	•				
70							•	•				
80								•				
90								•				
100								•				