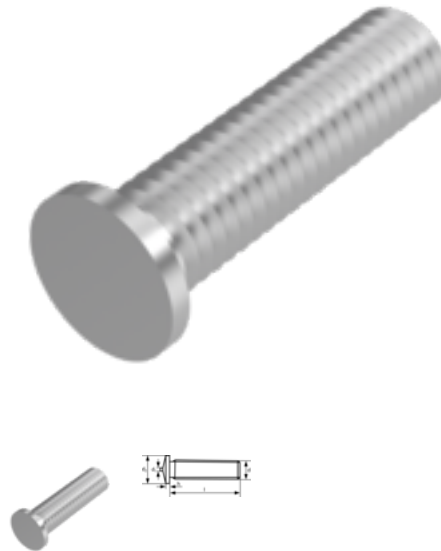


ISO 13918 PT, Welding threaded stud, M 6x12, 1.4571



Article number
54139189612

EAN
None

Weight in kg
0.002

Customs number
73181595

Material
Stainless steel

Quality
1.4571

Coating
pln

Diameter
6 mm

Length
12 mm

Product details

Form PT-Stud welding with tip ignition

Lenght l1 0.8 mm

Material Stainless steel

Total lenght l 12 mm

Length 12 mm

Diameter d1 0.75 mm

Norm ISO 13918 PT

Diameter 6 mm

Quality 1.4571

Coating pln

Diameter of the head dk 7.5 mm

Diameter d 6 mm

Remarks

32501-1 has been replaced by ISO 13918

Product variants

Diameter (mm)	6	8
Length (mm)		
8	•	
10	•	•
12	•	•
15	•	•
16	•	•
20	•	•
25	•	•