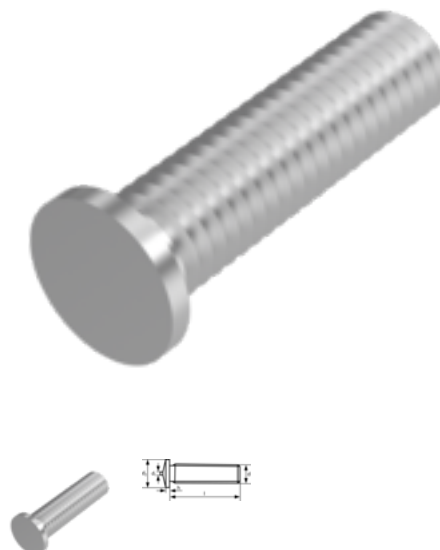


ISO 13918 PT, Welding threaded stud, M 8x12, 1.4571



Article number
54139189812

Weight in kg
0.41

Customs number
73181595

Material
Stainless steel

Quality
1.4571

Coating
pIn

Diameter
8 mm

Length
12 mm

Product details

Form PT-Stud welding with tip ignition

Lenght l1	0.85 mm
Material	Stainless steel
Total lenght l	12 mm
Length	12 mm
Diameter d1	0.75 mm
Norm	ISO 13918 PT
Diameter	8 mm
Quality	1.4571
Coating	pIn
Diameter of the head dk	9 mm
Diameter d	8 mm

Remarks

32501-1 has been replaced by ISO 13918

Product variants

Diameter (mm)	6	8
Length (mm)		
8	•	
10	•	•
12	•	•
15	•	•
16	•	•
20	•	•
25	•	•