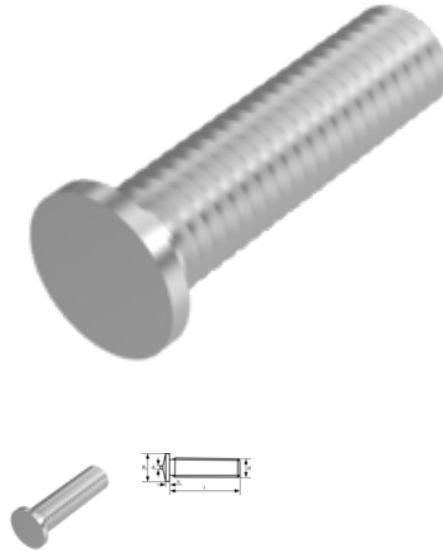


# ISO 13918 PT, Welding threaded stud, M 8x20, 1.4571



**Article number**  
54139189820

**EAN**  
None

**Weight in kg**  
0.65

**Customs number**  
73181595

**Material**  
Stainless steel

**Quality**  
1.4571

**Coating**  
pln

**Diameter**  
8 mm

**Length**  
20 mm

## Product details

Form PT-Stud welding with tip ignition

Lenght l1	0.85 mm
Material	Stainless steel
Total lenght l	20 mm
Length	20 mm
Diameter d1	0.75 mm
Norm	ISO 13918 PT
Diameter	8 mm
Quality	1.4571
Coating	pln
Diameter of the head dk	9 mm
Diameter d	8 mm

## Remarks

32501-1 has been replaced by ISO 13918

## Product variants

Diameter (mm)	6	8
Length (mm)		
8	•	
10	•	•
12	•	•
15	•	•
16	•	•
20	•	•
25	•	•