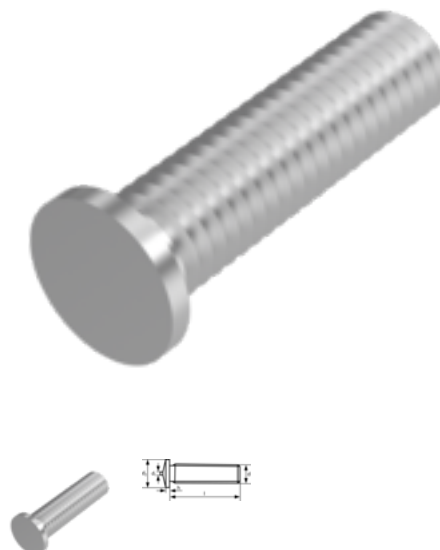


ISO 13918 PT, Welding threaded stud, M 6x15, 1.4401



Article number
54325013615

EAN
None

Weight in kg
0.003

Customs number
73181595

Material
Stainless steel

Quality
1.4401

Coating
pln

Diameter
6 mm

Length
15 mm

Product details

Form PT-Stud welding with tip ignition

Lenght l1	0.8 mm
Material	Stainless steel
Total lenght l	15 mm
Length	15 mm
Diameter d1	0.75 mm
Norm	ISO 13918 PT
Diameter	6 mm
Quality	1.4401
Coating	pln
Diameter of the head dk	7.5 mm
Diameter d	6 mm

Remarks

32501-1 has been replaced by ISO 13918

Product variants

Diameter (mm)	6	8
Length (mm)		
15	•	
20		•
25	•	