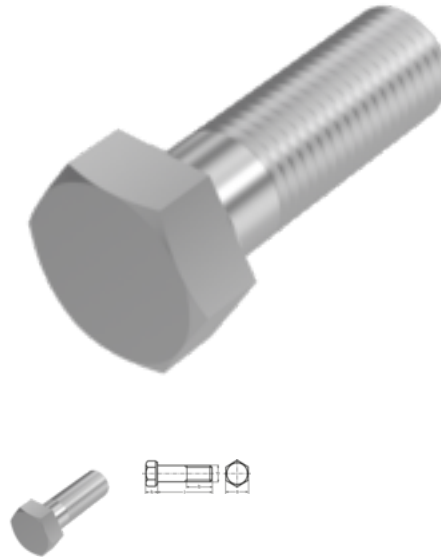


ISO 4014 / DIN 931, hexagon head bolt, M 8x150, A4-80



Article number
5489318150

EAN
None

Weight in kg
0.064

Customs number
73181575

Diameter
8 mm

Length
150 mm

Material
Stainless steel

Quality additional filter
A4

Coating
pln

Force application
SW 13

Norm
ISO 4014 / DIN 931

Product details

ISO 4014.

Material	Stainless steel
Total length l	150 mm
Length	150 mm
Norm	ISO 4014
Diameter	8 mm
Height of the head k	5.3 mm
Coating	pln
Thread length b	28 mm
Force application type	External hex
Norm	ISO 4014 / DIN 931
Quality additional filter	A4

Force application	SW 13
-------------------	-------

Diameter d	8 mm
------------	------

Remarks

Changed SW for ISO. M 10, M 12, M 14 and M 22 only available according to DIN 931. For further sizes see ISO 4014.

Application

Universell einsetzbar, vor allem im Maschinenbereich

Product variants

Force application	SW 13
Norm	
ISO 4014 / DIN 931	•