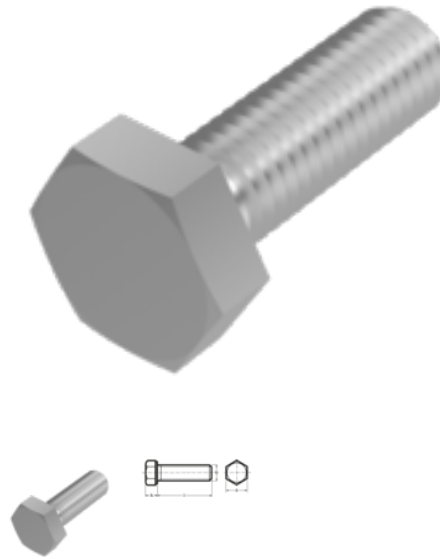


# DIN 933, hexagon head bolt, M 8x30, A4-80



**Article number**  
548933830

**EAN**  
None

**Weight in kg**  
0.015

**Customs number**  
73181575

**Material**  
Stainless steel

**Quality**  
A4-80

**Coating**  
pln

**Diameter**  
8 mm

**Length**  
30 mm

**Force application**  
SW 13

**Norm**  
ISO 4017 / DIN 933

## Product details

Threaded close up to the head.

Material	Stainless steel
Force application type	External hex
Length	30 mm
Norm	ISO 4017 / DIN 933
Total length l	30 mm
Norm	ISO 4017
Diameter	8 mm
Quality	A4-80
Force application	SW 13
Height of the head k	5.3 mm
Coating	pln

---

Diameter d 8 mm

---



---

## Remarks

---

Standard was withdrawn. DIN similar to ISO 4017. Changed SW for ISO. Sizes M 10, M 12 and M 14 only available in DIN 933.

---

## Application

---

Universell einsetzbar, vor allem im Maschinenbereich

---

## Product variants

---

Force application	SW 13
<b>Norm</b>	
ISO 4017 / DIN 933	•