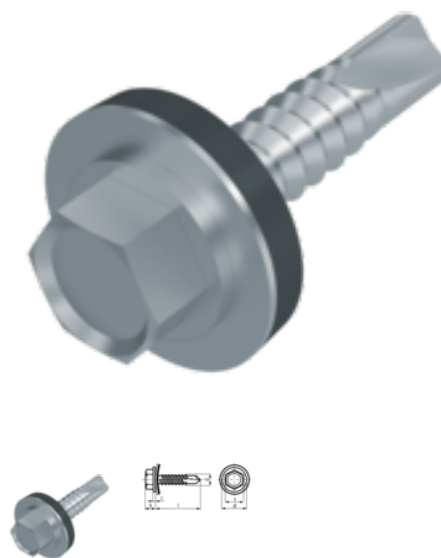


# sim. DIN 7504 K, Hexagon head self-dilling tapping screw with 16 mm seal washer, ST 4,8x25, ST, zinc-plated, standard, 5 μm, Zn5/An/T0



**Article number**  
D7504KDBAAAC04825

**EAN**  
None

**Weight in kg**  
0.006

**Customs number**  
73181491

**Material**  
Steel

**Quality**  
ST

**Coating**  
zinc-plated, standard, 5 μm, Zn5/An/T0

**Diameter**  
4,8 mm

**Length**  
25 mm

## Product details

form K with hexagon head and collar acc DIN 6928. With seal washer 16 mm.

Material	Steel
Force application size	SW 8
Force application type	External hex
Length	25 mm
Total length l	25 mm
Norm	DIN 7504 K
Diameter	4.8 mm
Quality	ST
Force application	SW 8
Height of the head k	4.45 mm

Coating zinc-plated, standard, 5 µm, Zn5/An/T0

Diameter d 4.8 mm

### Product variants

Diameter (mm)	4,8	5,5	6,3
Length (mm)			
16	•		
19	•	•	•
22	•	•	
25	•	•	•
32	•	•	•
38	•	•	•
50		•	•
63			•
75			•