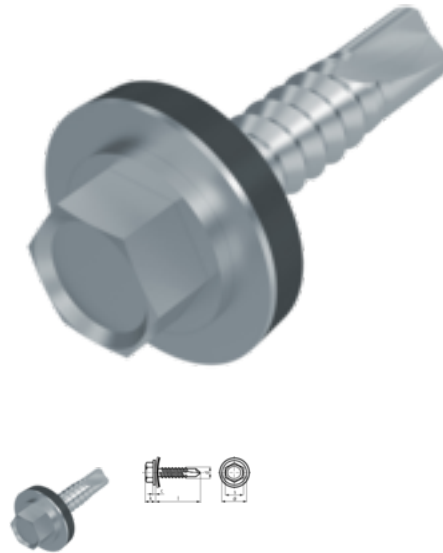


sim. DIN 7504 K, Hexagon head self-dilling tapping screw with 16 mm seal washer, ST 5,5x32, ST, zinc-plated, standard, 5 μm, Zn5/An/T0



Article number
D7504KDBAAAC05532

EAN
None

Weight in kg
0.008

Customs number
73181491

Material
Steel

Quality
ST

Coating
zinc-plated, standard, 5 μm, Zn5/An/T0

Diameter
5,5 mm

Length
32 mm

Product details

form K with hexagon head and collar acc DIN 6928. With seal washer 16 mm.

Material	Steel
Force application size	SW 8
Force application type	External hex
Length	32 mm
Total length l	32 mm
Norm	DIN 7504 K
Diameter	5.5 mm
Quality	ST
Force application	SW 8
Height of the head k	5.45 mm

Coating zinc-plated, standard, 5 µm, Zn5/An/T0

Diameter d 5.5 mm

Product variants

Diameter (mm)	4,8	5,5	6,3
Length (mm)			
16	•		
19	•	•	•
22	•	•	
25	•	•	•
32	•	•	•
38	•	•	•
50		•	•
63			•
75			•