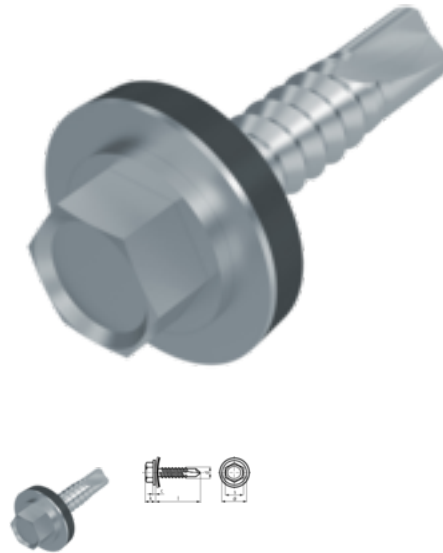


sim. DIN 7504 K, Hexagon head self-dilling tapping screw with 19 mm seal washer, M 6,3x130, ST, zinc-plated, standard, 5 µm, Zn5/An/T0



Article number
D7504KDCAAAC063130

EAN
None

Weight in kg
0.027

Customs number
73181491

Quality
ST

Diameter
6,3 mm

Length
130 mm

Product details

form K with hexagon head and collar acc DIN 6928. With seal washer 19 mm.

Material	Steel
Force application type	External hex
Length	130 mm
Total length l	130 mm
Norm	DIN 7504 K
Diameter	6.3 mm
Quality	ST
Height of the head k	5.9 mm
Force application	SW 10
Coating	zinc-plated, standard, 5 µm, Zn5/An/T0
Diameter d	6,3 mm
Flange diameter df	13.5 mm

Product variants

Diameter (mm)	5,5	6,3
Length (mm)		
19		•
22	•	•
25	•	•
32	•	•
38	•	•
50	•	•
63	•	•
75		•
80		•
90		•
100		•
115		•
125		•
130		•
140		•
150		•