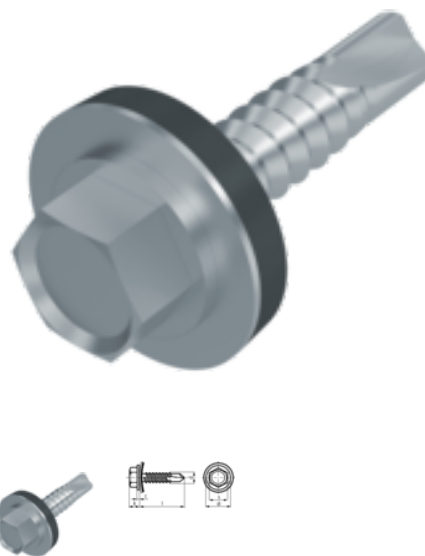


sim. DIN 7504 K, Hexagon head self-dilling tapping screw with 25 mm seal washer, M 6,3x140, ST, zinc-plated, standard, 5 µm, Zn5/An/T0



Article number
D7504KDFAAAC063140

EAN
None

Weight in kg
0.03

Customs number
73181491

Diameter
6,3 mm

Length
140 mm

Product details

form K with hexagon head and collar acc DIN 6928. With seal washer 25 mm.

Material	Steel
Force application type	External hex
Length	140 mm
Total lenght l	140 mm
Norm	DIN 7504 K
Diameter	6.3 mm
Quality	ST
Height of the head k	5.9 mm
Force application	SW 10
Coating	zinc-plated, standard, 5 µm, Zn5/An/T0
Diameter d	6,3 mm
Flange diameter df	13.5 mm

Product variants

Diameter (mm)	5.5	6.3
Length (mm)		
19		•
22		•
25	•	•
32	•	•
38	•	•
50	•	•
63	•	•
75		•
80		•
90		•
100		•
115		•
125		•
130		•
140		•
150		•