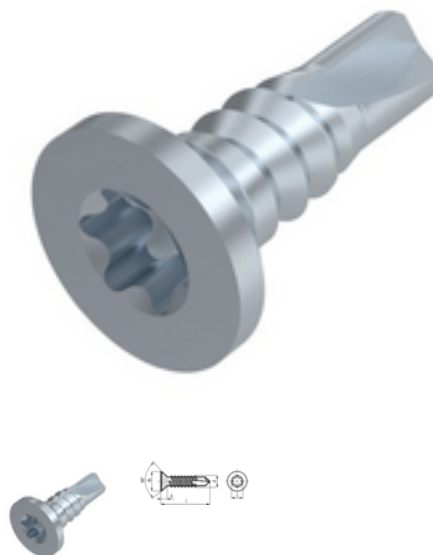


# DIN 7504 O, sim. Self-tapping screw , ST 5,5x25, ST, zinc-plated, standard, 5 µm, Zn5/An/T0, TX 25



**Article number**  
D7504OAAAC05525T

**EAN**  
None

**Weight in kg**  
0.004

**Customs number**  
73181491

**Material**  
Steel

**Quality**  
ST

**Coating**  
zinc-plated, standard, 5 µm, Zn5/An/T0

**Force application type**  
Hexalobular internal

**Diameter**  
5,5 mm

**Length**  
25 mm

## Product details

form O- Countersunk head according to DIN 7050.

Material	Steel
Force application type	Hexalobular internal
Length	25 mm
Total length l	25 mm
Norm	ISO 15482
Diameter	5.5 mm
Quality	ST
Force application	TX 25
Height of the head k	3 mm
Coating	zinc-plated, standard, 5 µm, Zn5/An/T0
Diameter of the head dk	10.3 mm

Diameter d 5.5 mm

### Remarks

Standard was withdrawn. DIN corresponds to ISO 15482 (DRM 3,9 mm not contained in ISO).

### Product variants

Diameter (mm)	2,9	3,5	3,9	4,2	4,8	5,5	6,3
Length (mm)							
13	•	•	•	•			
16	•	•	•	•	•		
19	•	•	•	•	•	•	•
22		•	•	•	•		
25		•	•	•	•	•	•
32		•	•	•	•	•	•
38			•	•	•	•	•
45			•	•	•	•	•
50				•	•	•	•
60				•	•	•	•
70					•	•	•
80					•	•	•
90							•
100							•