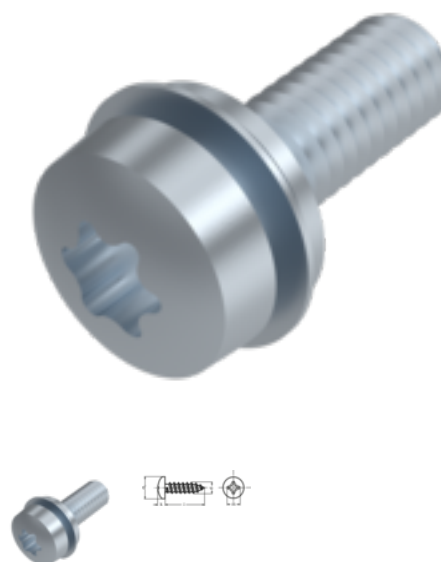


DIN 7985 Z 3-1, Combi-Screw DIN 7985 with washers DIN 6902A and DIN 6904, M 3x6, 8.8, zinc-plated, standard, 5 µm, Zn5/An/T0, TX 10, Z3-1



Article number
D7985KBAHAC36

EAN
None

Weight in kg
0.001

Customs number
73181595

Material
Steel

Quality
8.8

Coating
zinc-plated, standard, 5 µm, Zn5/An/T0

Force application type
Hexalobular internal

Diameter
3 mm

Length
6 mm

Product details

DIN 7985 wurde zurückgezogen und ist austauschbar mit ISO 7045.

Force application size	TX 10
Material	Steel
Length	6 mm
Norm	ISO 7045
Diameter	3 mm
Coating	zinc-plated, standard, 5 µm, Zn5/An/T0
Force application type	Hexalobular internal
Quality	8.8
Force application	TX 10
Thread type	Metric thread (M)

Product variants

Diameter (mm)	3
Length (mm)	6