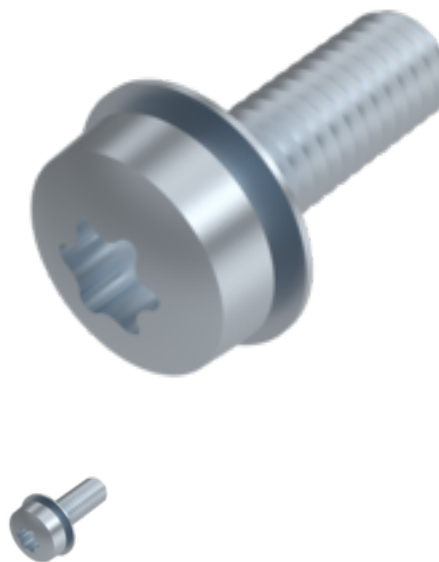


DIN 7985 Z 3, sim. Combi-Screw DIN 7985 with washer DIN 6904, M 4x16, 8.8, zinc-plated, standard, 5 µm, Zn5/An/T0, TX 20, Z3



Article number D7985KHAHAC416T	Weight in kg 0.002
Customs number 73181595	Quality 8.8
Force application type Hexalobular internal	Diameter 4 mm
Length 16 mm	

Product details

DIN 7985 wurde zurückgezogen und ist austauschbar mit ISO 7045.

Force application size	TX 20
Material	Steel
Length	16 mm
Norm	ISO 7045
Diameter	4 mm
Coating	zinc-plated, standard, 5 µm, Zn5/An/T0
Force application type	Hexalobular internal
Quality	8.8
Thread type	Metric thread (M)

Product variants

Diameter (mm)	4
Length (mm)	•
16	