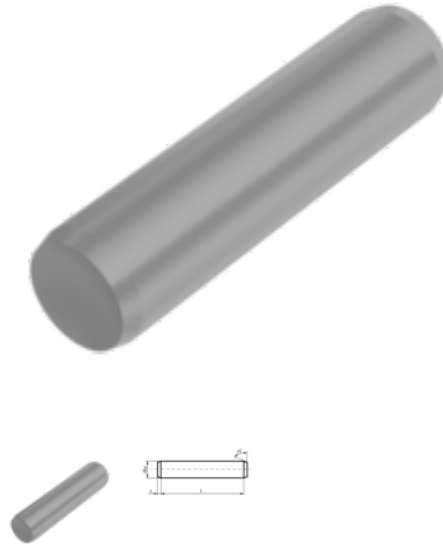


# DIN 7, Parallel pin h8, 8x30, ST, pln



**Article number**  
D7TAAAAA830

**EAN**  
None

**Weight in kg**  
0.012

**Customs number**  
73182900

**Material**  
Steel

**Quality**  
ST

**Coating**  
pln

**Diameter**  
8 mm

**Length**  
30 mm

## Product details

Tolerance field h8.

Material	Steel
Length	30 mm
Total length l	30 mm
Dome height c	1.2 mm
Norm	DIN 7
Diameter	8 mm
Quality	ST
Coating	pln
Diameter d	8 mm

## Product variants

Diameter (mm)	1	2	2,5	3	4	5	6	8	10	12	16	30
Length (mm)												
3	•											
8				•								
10		•		•	•		•					
12				•	•	•						
14							•					
16				•	•	•		•				
18			•		•							
20				•		•	•					
24							•		•			
28						•		•				
30						•	•	•				
32											•	
36								•				
40								•		•	•	
45								•				
50						•		•				
60												•
100											•	