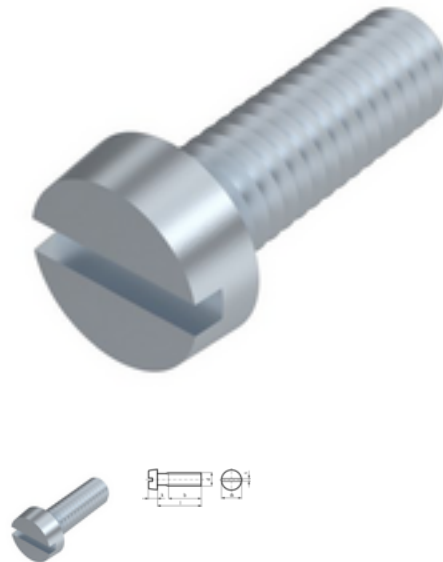


# ISO 1207, Slotted cheese head screw, M 4x10, 5.8, zinc-plated, standard, 5 µm, Zn5/An/T0



**Article number**  
I1207AFAC410

**EAN**  
None

**Weight in kg**  
0.001

**Customs number**  
73181558

**Material**  
Steel

**Quality**  
5.8

**Coating**  
zinc-plated, standard, 5 µm, Zn5/An/T0

**Force application type**  
Slot

**Diameter**  
4 mm

**Length**  
10 mm

## Product details

Material	Steel
Force application type	Slot
Length	10 mm
Total length l	10 mm
Norm	ISO 1207
Diameter	4 mm
Quality	5.8
Force application	SZ 1,2
Height of the head k	2.6 mm
Coating	zinc-plated, standard, 5 µm, Zn5/An/T0
Diameter of the head dk	7 mm
Diameter d	4 mm

## Product variants

Diameter (mm)	3	4	6
Length (mm)			
10		•	•
16	•		
28		•	
30		•	