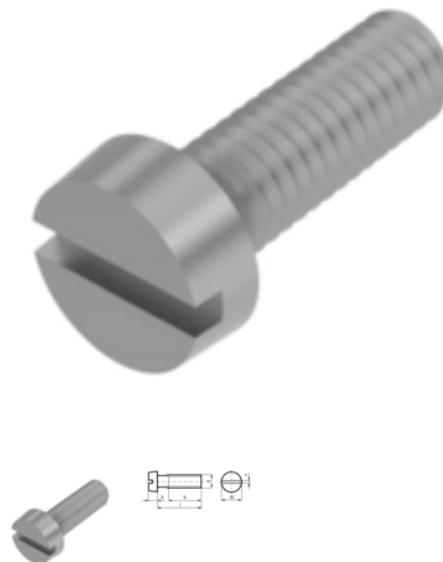


ISO 1207, Slotted cheese head screw, M 4x16, 5.8, Zinc-iron, black, 8 µm, ZnFe8/Fn/T2 µ0,12 - 0,18



Article number
I1207AFBT416

EAN
None

Weight in kg
0.002

Customs number
73181558

Material
Steel

Quality
5.8

Coating
Zinc-iron, black, 8 µm, Zn
Fe8/Fn/T2 µ0,12 - 0,18

Force application type
Slot

Diameter
4 mm

Length
16 mm

Product details

Material	Steel
Force application type	Slot
Length	16 mm
Total length l	16 mm
Norm	ISO 1207
Diameter	4 mm
Quality	5.8
Force application	SZ 1,2
Height of the head k	2.6 mm
Coating	Zinc-iron, black, 8 µm, ZnFe8/Fn/T2 µ0,12 - 0,18
Diameter of the head dk	7 mm
Diameter d	4 mm

Product variants

Diameter (mm)	3	4
Length (mm)		
6	•	
8	•	
10	•	
16	•	•
20	•	