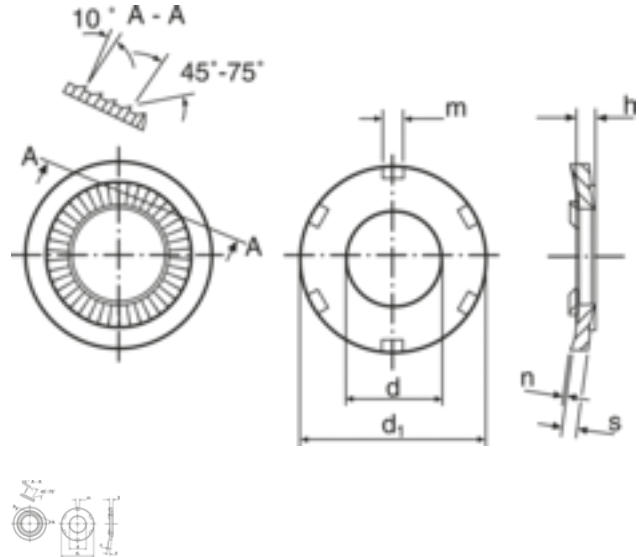


SN 70093, Contact disc, 8 mm, A2



Article number
W0248BGAA8

Weight in kg
0.002

Customs number
73182100

Material
Stainless steel

Quality
A2

Coating
pIn

Inner diameter
8 mm

Product details

Material	Stainless steel
Suitable for screw diameter	8 mm
Height h	2.4 mm
Inner diameter	8 mm
Diameter d1	8.2 mm
Diameter d2	16.2 mm
Norm	NFE 25-511 K
Quality	A2
Coating	pIn
Thickness s	1.4 mm

Properties

loosening / spring-loaded.

Assembly instruction

The six teeth must be against the contact surface to be able to penetrate the surface and to penetrate the surface and the electrical conductivity and to favor the electrical conductivity.

Remarks

Contacting for electrically conductive connections.

Application

Suitable for use with screws of property classes 6-8, 8.8 and 10.9.

Product variants

Coating	pln
Inner diameter (mm)	
4	•
5	•
8	•
10	•
12	•
16	•