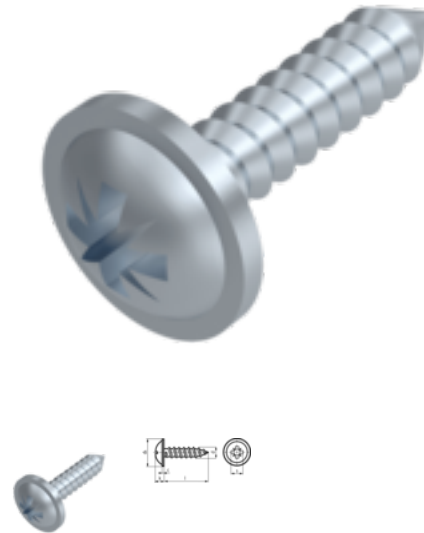


# BS 4174 C, Pan head tapping screw with pressed disk, ST 2,9x9,5, ST, zinc-plated, standard, 5 μm, Zn5/An/T0, Z 1



**Article number**  
W0266AAAC002995

**EAN**  
None

**Weight in kg**  
0.001

**Customs number**  
73181491

**Coating**  
zinc-plated, standard, 5 μm, Zn5/An/T0

**Diameter**  
2,9 mm

**Length**  
9,5 mm

## Product details

form C with cone end.

Material	Steel
Force application type	Pozidriv cross recess
Length	9.5 mm
Total length l	9.5 mm
Norm	BS 4174 C
Diameter	2.9 mm
Quality	ST
Height of the head k	1.6 mm
Force application	Z 1
Coating	zinc-plated, standard, 5 μm, Zn5/An/T0
Diameter of the head dk	6.53 mm

Diameter d 2,9 mm

## Product variants

Diameter (mm)	2,9	3,5	4,2	4,8
Length (mm)				
6,5	•	•	•	
8		•		
9,5	•	•	•	•
13	•			
16	•			
25		•	•	•
32		•	•	•
38		•	•	•
45			•	